



# ASSESSMENT TOOL



The AT (assessment tool) is an **Adjustable Demo brace**. It will allow a patient to “try it now”.

**Medium assessment tool:** adjustable from 8 us-men to 16 us-men

**Small assessment tool:** adjustable from 3.5 us-men to 9 us-men

**Pediatric assessment tool:** adjustable from 10 us-youth to 4 us-men

**Fit and assess a patient in less than 5 minutes!**



## DESCRIPTIONS

## PRODUCTS CODES

### (AT) ASSESSMENT TOOL

**Assessment tool**, size PEDIATRIC

AT3000-01-P

**Assessment tool**, size SMALL

AT3000-01-S

**Assessment tool**, size MEDIUM

AT3000-01-M

Use the Assessment tool (AT) to customize the orthotic

For more information call:  
**001 418 563-8675**

or email us at  
[info@turbomedorthotics.com](mailto:info@turbomedorthotics.com)

[turbomedorthotics.com](http://turbomedorthotics.com)



## GUIDELINE FOR USE OF ASSESSMENT TOOL

- For trial or assesment, **use a running shoe or a walking shoe** with a maximum of eyelets. For more information refer to GUIDELINE FOR SHOE SELECTION (recto) and videos on our web site.  
**Only use tie-wraps for the fixation eyelets. The lace clip that comes with the assessment tool is just to show to your customers as an example.**
- Unscrew the 2 screws. Adjust the lenght of the anterior section **according to the shoe size of your customer; refer to the chart below to find the proper number.** For example, set the anterior section at 31 for a size 12 men. Do not replace the srews at this point.



- Install the assessment tool on the shoe to see how it fits. If the position of the anterior and posterior sections are ideal, remove the assessment tool and reinstall both screws.



- Attach the assessment tool to the shoe by **using tie-wraps ONLY. Always use eyelets.** At this point, using tie-wraps is way faster than trying to fit the lace clip on the shoe. Lace clips are only used on the laces for final fitting IF you want the final orthotic to be transferable. **Each new orthotic comes with 5 lace clips.**



- Adjust the height of the calf band by simply sliding it up or down the posterior branch.
- When trial is done, fill out the ordering form and send it by email to your local distributor.

	Men US-M	Women US-F	CM	AT MEDIUM	AT SMALL	AT PEDI
	16		34	61		
	15,5		33,5	57		
	15		33	53		
	14,5		32,5	50		
	14		32	46		
	13,5		31,5	42		
	13		31	38		
	12,5		30,5	34		
	12		30	31		
	11,5		29,5	28		
	11		29	25		
	10,5		28,5	22		
	10	11	28	19	55	
	9,5	10,5	27,5	16	52	
	9	10	27	13	49	
US-Kids	8,5	9,5	26,5	11	46	
8	8	9	26	7	43	
7,5	7,5	8,5	25,5	3	40	
7	7	8	25	0	37	
6,5	6,5	7,5	24,5		34	
6	6	7	24		30	
5,5	5,5	6,5	23,5		26	
5	5	6	23		22	41
4,5	4,5	5,5	22,5		18	36
4	4	5	22		13	32
3,5	3,5	4,5	21,5		9	29
3	3	4	21		5	24
2,5	2,5	3,5	20,5		1	21
2			20			18
1,5			19,5			16
1			19			13
13 Y			18,5			9
12.5 Y			18			4
12 Y			17,5			1
11 Y			17			-3
10.5 Y			16,5			-
10Y			16			-

\* CM Size chart (centimeters) is usually written on label inside the shoe tongue. CM size equals to foot length AND NOT shoe length.



## GUIDELINE FOR SHOE SELECTION AND LACE CLIP INSTALLATION

This guideline will help you to maximize the orthotic behaviour, the lift effect and to ease the lace clip installation.

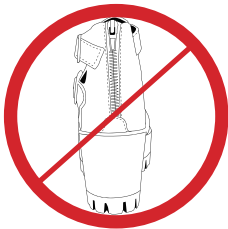
The FS-3000 can be fitted on a large variety of shoes including working boots, winter boots, trekking shoes, running shoes, dress shoes, etc., and even some sandals !

[Refer to the videos on the website for more information on shoe selection and lace clip installation.](#)

### SHOES TO AVOID

Minimalist shoes, very thin light fabric with low profile soles are not recommended.

Avoid using shoes with no tapered shape edges or flat vertical edge sole (see pictures).



### RECOMMENDED SHOES

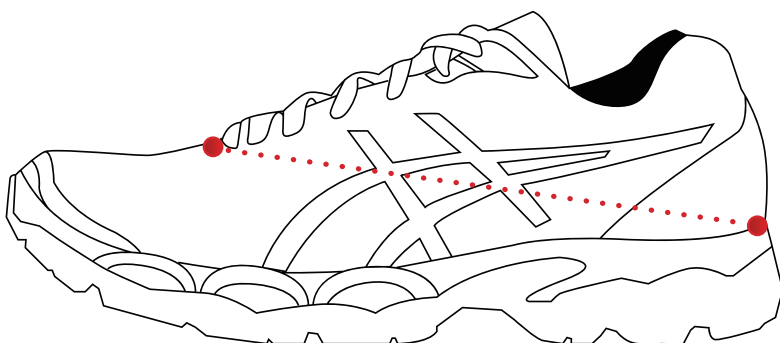
The right shoes with the right tapered shape ridges sole will give maximum leverage support to the orthotic.



### PLACEMENT OF THE LACE CLIP

There is a relation between the shoe size and the placement of the lace clip. If the distance between the lace clip placement and the rear of the sole is too short, **the lift point location of the orthotic will not be optimal and will create an extra gap between the heel support and the rear extremity of the sole.**

This picture and this graphic can give you an idea of how many millimeters you should have between the fixation eyelet and the extremity of the shoe sole.



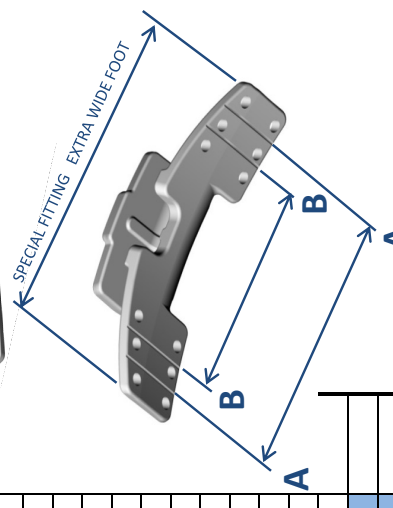
SIZE US-M	SIZE US-W	SIZE CM	DISTANCE IDEAL (mm)	DISTANCE MINIMUM (mm)
16		34	251	241
15.5		33.5	247	237
15		33.0	244	233
14.5		32.5	240	230
14		32.0	236	226
13.5		31.5	232	222
13		31.0	229	219
12.5		30.5	225	215
12		30.0	221	212
11.5		29.5	217	208
11		29.0	214	206
10.5	11.5	28.5	210	203
10	11	28.0	206	199
9.5	10.5	27.5	202	195
9	10	27.0	199	192
8.5	9.5	26.5	195	188
8	9	26.0	191	185
7.5	8.5	25.5	187	181
7	8	25.0	184	177
6.5	7.5	24.5	180	174
6	7	24.0	176	170
5.5	6.5	23.5	172	166
5	6	23.0	169	163
4.5	5.5	22.5	165	159
4	4	22.0	161	156

# MASTER SIZING & ASSEMBLY CHART

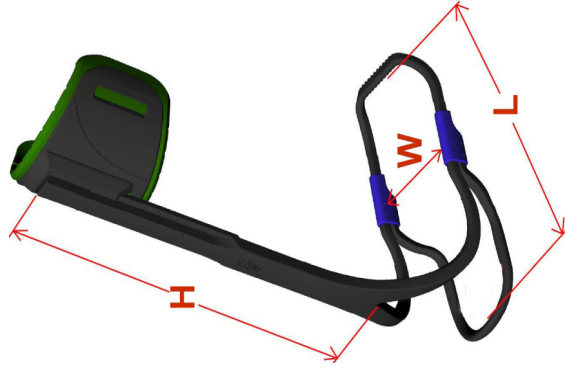
DATE: 2016-04-27



Men US-M	Women US-F	CM	AT		AT SMALL	AT PEDI	KIT SIZES	L (mm)	W (mm)	H MED-LRG (mm)	H SMALL (mm)	H PEDI (mm)	CLIP CUTTING	CLIP CUTTING	CLIP CUTTING
			MEDIUM	SMALL											
16		34	61				LARGE	252	100	300			FULL		
15.5		33.5	57				LARGE	248	100	300			FULL		
15		33	53				LARGE	244	100	295			A		
14.5		32.5	50				LARGE	241	99	295			A		
14		32	46				LARGE	237	99	292			A		
13.5		31.5	42				LARGE	233	99	292			A		
13		31	38				LARGE	230	98	286			A		
12.5		30.5	34				MEDIUM	226	98	286			B		
12		30	31				MEDIUM	223	96	280			B		
11.5		29.5	28				MEDIUM	220	96	280			B		
11		29	25				MEDIUM	217	94	279			B		
10.5		28.5	22				MEDIUM	214	93	279			B		
10	11	28	19		55		MEDIUM	211	92	269			B		
9.5	10.5	27.5	16		52		MEDIUM	208	90	269			B		
9	10	27	13		49		MEDIUM	205	87	263	273		B		
8.5	9.5	26.5	11		46		MEDIUM	203	87	263	273		B		
8	9	26	7		43		MEDIUM	199	85	257	267		B		
7.5	8.5	25.5	3		40		SMALL	196	84		267		A		
7	8	25	0		37		SMALL	193	84		256		A		
6.5	7.5	24.5			34		SMALL	190	84		256		A		
6	7	24			30		SMALL	187	83		250		A		
5.5	6.5	23.5			26		SMALL	183	83		250		B		
5	6	23			22	41	SMALL	180	82		250		B		
4.5	5.5	22.5			18	36	SMALL	175	80		245		B		
4	5	22			13	32	SMALL	171	78		240	210	B		A
3.5	4.5	21.5			9	29	SMALL	168	76		235	205	B		A
3	4	21			5	24	SMALL	163	76		230	200	B		A
2.5	3.5	20.5			1	21	PEDI	160	74		230	195	B		A
2		20				18	PEDI	158	72			190	A		A
1.5		19.5				16	PEDI	156	70			185	B		B
1		19				13	PEDI	153	70			180	B		B
13 Y		18.5				9	PEDI	149	70			175	B		B
12.5 Y		18				4	PEDI	145	70			170	B		B
12 Y		17.5				1	PEDI	141	70			165	B		B
11 Y		17				-3	PEDI	137	68			160	B		B
10.5 Y		16.5				---	PEDI	133	68			155	B		B
10 Y		16				---	PEDI	128	68			150	B		B



FS3000 Weight = 325g, 12US-M  
(calf strap+pad&lance clip included)



US-Kids
8
7.5
7
6.5
6
5.5
5
4.5
4
3.5
3
2.5
2
1.5
1
13 Y
12.5 Y
12 Y
11 Y
10.5 Y
10 Y